

1U 18.5-inch Standard Media Console

Product Guide

The 1U 18.5-inch Standard is a cost-effective flat-panel console kit that offer a powerful and convenient way to manage space-constrained rack environments from a single console. This densely packed 1U solution let you easily set up and control rack-mounted servers. It offers additional space savings by allowing the mounting of the KVM switch in the space behind the console. The kit include an 18.5-inch LCD display and accept an optional UltraNav keyboard.

Note: The 18.5" Enhanced Media Console and Common Access Card Reader are withdrawn from marketing and not included in this guide.

The 1U 18.5-inch Standard Console is shown in the following figure.



Figure 1. 1U 18.5" Standard Console (with the optional UltraNav USB keyboard)

Did you know?

The 1U 18.5-inch Standard Console, when used with the Global Console Manager (GCM) or Local Console Manager (LCM) console switches provides a convenient way to locally access all systems installed in a rack. Consuming only 1U of rack space, it uses the least amount of space possible and ensures that your rack aisles remain free of equipment and cables.

Part number information

The following table lists ordering part number and feature code for the console kit.

Table 1. Ordering information

Product description	Part number	Feature code
1U 18.5" Standard Console	17238BX	A3EK

The part number for the Standard includes the following items:

- One console unit with a 18.5-inch LCD display
- Cable management arm
- Slides and mounting brackets
- Miscellaneous hardware kit
- One 2.8m, 10A/100-250V, C13 to IEC 320-C14 rack power cable
- Documentation CD

Note: The console kit does not include a keyboard. See Table 2 for the supported USB keyboards.

Features

The features of the Standard Console include:

- Integrated 18.5-inch high-resolution display supports selectable display methods and resolutions
- The flat-panel display extends well above the keyboard and offers an easy viewing angle
- Installable in a rack - consumes only 1U of rack space
- A 1U solution with the ability to mount a KVM switch behind the console to save space
- Tool-less installation for ease of use and installation in minutes
- Includes slides and cable-management arm so the unit can close and slide back into the rack
- Provides easy local access and control of a server
- Compatible with Console Managers for control and access of multiple servers
- Testing to ensure easy integration into Lenovo rack solutions
- A complete, ready-to-install package
- Able to be shipping installed in the rack
- Includes a cable-management arm
- Optional keyboards with National Language Support

Supported keyboards

The following table lists the USB keyboards that can be used with the 1U 18.5-inch console kit.

Note: The keyboards do not include a Trackpad/touchpad.

Table 2. Supported USB keyboards

Part number	Feature	Description
00MW310	AU8B	Lenovo UltraNav Keyboard USB - US Eng
46W6712*	A50G	Keyboard w/ Int. Pointing Device USB - US Eng 103P RoHS v2
46W6713	A50H	Keyboard w/ Int. Pointing Device USB - Arabic 253 RoHS v2
46W6714	A50J	Keyboard w/ Int. Pointing Device USB - Belg/UK 120 RoHS v2
46W6715	A50K	Keyboard w/ Int. Pointing Device USB - Chinese/US 467 RoHS v2
46W6716	A50L	Keyboard w/ Int. Pointing Device USB - Czech 489 RoHS v2
46W6717	A50M	Keyboard w/ Int. Pointing Device USB - Danish 159 RoHS v2
46W6718	A50N	Keyboard w/ Int. Pointing Device USB - Dutch 143 RoHS v2
46W6719	A50P	Keyboard w/ Int. Pointing Device USB - French 189 RoHS v2
46W6720	A50Q	Keyboard w/ Int. Pointing Device USB - Fr/Canada 445 RoHS v2
46W6721	A50R	Keyboard w/ Int. Pointing Device USB - German 129 RoHS v2
46W6722	A50S	Keyboard w/ Int. Pointing Device USB - Greek 219 RoHS v2
46W6723	A50T	Keyboard w/ Int. Pointing Device USB - Hebrew 212 RoHS v2
46W6724	A50U	Keyboard w/ Int. Pointing Device USB - Hungarian 208 RoHS v2
46W6725	A50V	Keyboard w/ Int. Pointing Device USB - Italian 141 RoHS v2
46W6726	A50W	Keyboard w/ Int. Pointing Device USB - Japanese 194 RoHS v2
46W6727	A50X	Keyboard w/ Int. Pointing Device USB - Korean 413 RoHS v2
46W6728	A50Y	Keyboard w/ Int. Pointing Device USB - LA Span 171 RoHS v2
46W6729	A50Z	Keyboard w/ Int. Pointing Device USB - Norwegian 155 RoHS v2
46W6730	A510	Keyboard w/ Int. Pointing Device USB - Polish 214 RoHS v2
46W6731	A511	Keyboard w/ Int. Pointing Device USB - Portugese 163 RoHS v2
46W6732	A512	Keyboard w/ Int. Pointing Device USB - Russian 441 RoHS v2
46W6733	A513	Keyboard w/ Int. Pointing Device USB - Slovak 245 RoHS v2
46W6734	A514	Keyboard w/ Int. Pointing Device USB - Spanish 172 RoHS v2
46W6735	A515	Keyboard w/ Int. Pointing Device USB - Swed/Finn 153 RoHS v2
46W6736	A516	Keyboard w/ Int. Pointing Device USB - Swiss F/G 150 RoHS v2
46W6737	A517	Keyboard w/ Int. Pointing Device USB - Thai 191 RoHS v2
46W6738	A518	Keyboard w/ Int. Pointing Device USB - Turkish 179 RoHS v2
46W6739	A519	Keyboard w/ Int. Pointing Device USB - UK Eng 166 RoHS v2
46W6740	A51A	Keyboard w/ Int. Pointing Device USB - US Euro 103P RoHS v2
46W6741	A51B	Keyboard w/ Int. Pointing Device USB - Slovenian 234 RoHS v2

* Withdrawn from marketing

Technical specifications

The following table lists the specifications of the 18.5-inch display.

Table 3. 18.5-inch display specifications

Feature	Specification
Screen size	18.5 inch diagonal
Display Area	409.8 mm x 230.4 mm
Display type	WXGA TFT active matrix LED backlight
Pixel pitch	0.300 mm x 0.300 mm
Contrast	1000:1
Brightness	250 cd/m ²
Viewing angle	170 degrees horizontal; 160 degrees vertical
Frame rate	55 - 75 Hz, TYP 60
Display color	16 M colors
Native resolution	1366 x 768 at 60 Hz
Maximum resolution	1600 x 1200 at 60 Hz
Minimum resolution	640 x 480 at 60 Hz
Scaling	1 to 1, Aspect, Fill
Connector	VGA (DB15)
Typical power consumption	16 watts (typical)

Supported servers

The consoles can be used with any System x server, Flex System chassis or BladeCenter chassis with a VGA port.

Warranty options

The system has a three-year customer-replaceable unit (CRU) and onsite (for field-replaceable units (FRUs) only) limited warranty with standard call center support during normal business hours and 9x5 Next Business Day Parts Delivered.

Also available are Lenovo Services warranty maintenance upgrades and post-warranty maintenance agreements, with a predefined scope of services, including service hours, response time, term of service, and service agreement terms and conditions.

Lenovo warranty service upgrade offerings are country-specific. Not all warranty service upgrades are available in every country. For more information about Lenovo warranty service upgrade offerings that are available in your country, go to the Data Center Advisor and Configurator (formerly known as LESC) website <http://lesc.lenovo.com>, then do the following:

1. In the Customize a Model box in the middle of the page, select the **Services** option in the Customization Option dropdown menu
2. Enter the machine type & model of the system
3. From the search results, you can click either **Deployment Services** or **Support Services** to view the offerings

The following table explains warranty service definitions in more detail.

Table 4. Warranty service definitions

Term	Description
Onsite Service	If a problem with your product cannot be resolved via telephone, a Service Technician will be dispatched to arrive at your location.
Parts Delivered	If a problem with your product cannot be resolved via telephone and a CRU part is required, Lenovo will send a replacement CRU to arrive at your location. If a problem with your product cannot be resolved via telephone and a FRU part is required, a Service Technician will be dispatched to arrive at your location.
Technician Installed Parts	If a problem with your product cannot be resolved via telephone, a Service Technician will be dispatched to arrive at your location.
Hours of coverage	<ul style="list-style-type: none"> • 9x5: 9 hours/day, 5 days/week, during normal business hours, excluding local public & national holidays • 24x7: 24 hours per day, 7 days per week, 365 days per year.
Response time target	2 hours, 4 hours, or Next Business Day: The time period from when the telephone based troubleshooting is completed and logged, to the delivery of the CRU or arrival of a Service Technician and part at the Customer's location for repair.
Committed Repair	6 hours: The time period between the service request registration in Lenovo's call management system and the restoration of the product to conformance with its specification by a Service Technician.

The following Lenovo warranty service upgrades are available:

- Warranty and maintenance service upgrades:
 - Three, four, or five years of 9x5 or 24x7 service coverage
 - Parts delivered or technician installed parts from next business day to 4 or 2 hours
 - Committed repair service
 - Warranty extension of up to 5 years
 - Post warranty extensions
- Committed Repair Service
 Committed Repair Services enhances the level of Warranty Service Upgrade or Post Warranty/Maintenance Service offering associated with the selected systems. Offerings vary and are available in select countries.
 - Priority handling to meet defined time frames to restore the failing machine to good working condition
 - 24x7x6 committed repair: Service performed 24 hours per day, 7 days per week, within 6 hours
- YourDrive YourData
 Lenovo's YourDrive YourData service is a multi-drive retention offering that ensures your data is always under your control, regardless of the number of drives that are installed in your Lenovo server. In the unlikely event of a drive failure, you retain possession of your drive while Lenovo replaces the failed drive part. Your data stays safely on your premises, in your hands. The YourDrive YourData service can be purchased in convenient bundles with Lenovo warranty upgrades and extensions.
- Microcode Support
 Keeping microcode current helps prevent hardware failures and security exposure. There are two levels of service: analysis of the installed base and analysis and update where required. Offerings vary by country and can be bundled with other warranty upgrades and extensions.

- **Enterprise Software Support**
Lenovo Enterprise Server Software Support can help you troubleshoot your entire server software stack. Choose support for server operating systems from Microsoft, Red Hat, SUSE, and VMware; Microsoft server applications; or both operating systems and applications. Support staff can help answer troubleshooting and diagnostic questions, address product compatibility and interoperability issues, isolate causes of problems, report defects to software vendors, and more.

In addition, you can access hardware “how to” support for System x servers. Staff can help resolve hardware problems not covered under warranty, refer you to the right documentation and publications, provide corrective service information for known defects, and transfer you to a hardware support call center if needed.

- **Hardware Installation Services**
Lenovo experts can seamlessly manage the physical installation of your server, storage, or networking hardware. Working at a time convenient for you (business hours or off shift), the technician will unpack and inspect the systems on your site, install options, mount in a rack cabinet, connect to power and network, check and update firmware to the latest levels, verify operation, and dispose of the packaging, allowing your team to focus on other priorities. Your new systems will be configured and ready for your software installation.

Physical specifications

The 1U 18.5-inch console has the following physical specifications.

Dimensions and weight (approximate):

- Height: 43 mm (1.7 in.)
- Width: 434 mm (17.0 in.)
- Depth: 434 mm (17.0 in.)
- Weight: 10.4 kg (23 lb)

Shipping dimensions and weight (approximate):

- Height: 229 mm (9.0 in.)
- Width: 762 mm (30.0 in.)
- Depth: 584 mm (23.0 in.)
- Weight: 15 kg (33 lb)

Operating environment

The 1U 18.5-inch consoles are supported in the following environment:

- Temperature: 0 - 50 °C (32 - 128°F)
- Relative humidity: 10 - 80%
- Maximum altitude: 3,000 m (9,843 ft)
- Electrical:
 - 90 to 264 V AC (nominal): 47 Hz to 63 Hz
 - 12 V DC (nominal): 3.33 A 40 watts

Agency approvals

The 1U 18.5-inch console conforms to the following regulations:

- FCC – Verified to comply with Part 15 of the FCC rules for a Class A digital device
- UL 60950-1, 2nd Edition
- CSA C22.2 No. 60950-1-07, 2nd Edition
- IEC 60950-1(ed.2);am1
- CE Mark (EN5022 Class A)
- C-Tick Mark (AS/NZS CISPR 22)
- EAC Mark – Russia, Belarus, Kazakhstan
- KCC Mark – Korea
- BSMI – Taiwan
- CCC – China
- VCCI Class A – Japan
- Nemko GS (EN 60950-1:2006 + A11:2009 + A1:2010 + A12:2011) – Germany

Rack cabinets

The 1U 18.5-inch consoles can be installed in the rack cabinets listed in the following table.

Table 5. Rack cabinets

Part number	Description
201886X	11U Office Enablement Kit
93072PX	25U Static S2 Standard Rack
93072RX	25U Standard Rack
93072SX	25U Standard Rack
93074EX	42U Standard Rack Extension
93074RX	42U Standard Rack
93074SX	42U Standard Rack
93074XX	42U Standard Rack Extension
930842E	NetBAY42 Enterprise Expansion Rack Cabinet
930842S	NetBAY42 Enterprise Rack Cabinet
93084EX	42U Enterprise Expansion Rack
93084PX	42U Enterprise Rack
93084RX	NetBAY42 Enterprise Rack Cabinet
93084XX	NetBAY42 Enterprise Expansion Rack Cabinet
93604EX	42U 1200mm Deep Dynamic Expansion Rack
93604PX	42U 1200mm Deep Dynamic Rack
93614EX	42U 1200mm Deep Static Expansion Rack
93614PX	42U 1200mm Deep Static Rack
93624EX	47U 1200mm Deep Static Expansion Rack
93624PX	47U 1200mm Deep Static Rack
93634CX	PureFlex™ System 42U Rack
93634DX	PureFlex System 42U Expansion Rack
93634EX	42U 1100mm Dynamic Expansion Rack
93634PX	42U 1100mm Dynamic Rack
99564RX	S2 42U Dynamic Standard Rack
99564XX	S2 42U Dynamic Standard Expansion Rack

For more information, see the list of Lenovo Press Product Guides in the Rack cabinets and options category:

<http://lenovopress.com/systemx/rack>

Rack options

The 1U 18.5-inch consoles can be used with the rack console switches listed in the following table.

Table 6. Rack options

Part number	Feature code	Description
Console switches		
1754D2X	6695	Global 4x2x32 Console Manager (GCM32)
1754D1X	6694	Global 2x2x16 Console Manager (GCM16)
1754A2X	0726	Local 2x16 Console Manager (LCM16)
1754A1X	0725	Local 1x8 Console Manager (LCM8)
Console cables		
43V6147	3757	Single Cable USB Conversion Option (UCO)
39M2895	3756	USB Conversion Option (4 Pack UCO)
39M2897	3754	Long KVM Conversion Option (4 Pack Long KCO)
46M5383	5341	Virtual Media Conversion Option Gen2 (VCO2)
46M5382	5340	Serial Conversion Option (SCO)

For more information, see the list of Lenovo Press Product Guides in the Rack cabinets and options category:

<http://lenovopress.com/systemx/rack>

Typical configurations

The following figure shows the 1U 18.5-inch Console with a US keyboard connected to the GCM16 Console Switch. The console switch is connected to each managed server using USB Conversion Option (UCO) cables, one for each server.

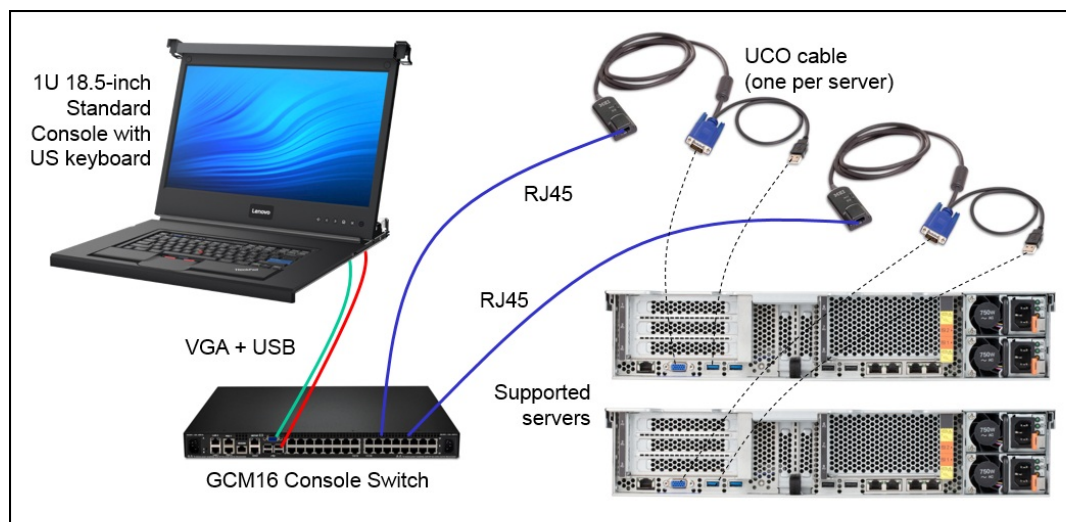


Figure 2. 1U 18.5-inch Standard Console sample configuration

The parts used are listed in the following table.

Table 7. Components used when the 18.5-inch Standard Console is connected to the GCM16 Console Switch

Part number	Description	Quantity
17238BX	1U 18.5" Standard Console	1
94Y6179	Keyboard w/ Int. Pointing Device USB - US English 103P RoHS	1
1754D1X	Global 2x2x16 Console Manager (GCM16)	1
43V6147	USB Conversion Option (UCO) cable	1 per 4 managed servers (4 pack)
Varies	Ethernet cabling	1 per managed server
Varies	Lenovo servers with USB and VGA ports	Varies

Related publications and links

For more information, see these resources:

- System x Consoles product page
<http://shop.lenovo.com/us/en/systems/servers/options/systemx/rack-power-infrastructure/kvm/>
- ServerProven:
<http://www.lenovo.com/us/en/serverproven/>
- US Announcement Letter
<http://ibm.com/common/ssi/cgi-bin/ssialias?infotype=dd&subtype=ca&&htmlfid=897/ENUS113-135>

Related product families

Product families related to this document are the following:

- [KVM Switches & Consoles](#)

Notices

Lenovo may not offer the products, services, or features discussed in this document in all countries. Consult your local Lenovo representative for information on the products and services currently available in your area. Any reference to a Lenovo product, program, or service is not intended to state or imply that only that Lenovo product, program, or service may be used. Any functionally equivalent product, program, or service that does not infringe any Lenovo intellectual property right may be used instead. However, it is the user's responsibility to evaluate and verify the operation of any other product, program, or service. Lenovo may have patents or pending patent applications covering subject matter described in this document. The furnishing of this document does not give you any license to these patents. You can send license inquiries, in writing, to:

Lenovo (United States), Inc.
1009 Think Place - Building One
Morrisville, NC 27560
U.S.A.
Attention: Lenovo Director of Licensing

LENOVO PROVIDES THIS PUBLICATION "AS IS" WITHOUT WARRANTY OF ANY KIND, EITHER EXPRESS OR IMPLIED, INCLUDING, BUT NOT LIMITED TO, THE IMPLIED WARRANTIES OF NON-INFRINGEMENT, MERCHANTABILITY OR FITNESS FOR A PARTICULAR PURPOSE. Some jurisdictions do not allow disclaimer of express or implied warranties in certain transactions, therefore, this statement may not apply to you.

This information could include technical inaccuracies or typographical errors. Changes are periodically made to the information herein; these changes will be incorporated in new editions of the publication. Lenovo may make improvements and/or changes in the product(s) and/or the program(s) described in this publication at any time without notice.

The products described in this document are not intended for use in implantation or other life support applications where malfunction may result in injury or death to persons. The information contained in this document does not affect or change Lenovo product specifications or warranties. Nothing in this document shall operate as an express or implied license or indemnity under the intellectual property rights of Lenovo or third parties. All information contained in this document was obtained in specific environments and is presented as an illustration. The result obtained in other operating environments may vary. Lenovo may use or distribute any of the information you supply in any way it believes appropriate without incurring any obligation to you.

Any references in this publication to non-Lenovo Web sites are provided for convenience only and do not in any manner serve as an endorsement of those Web sites. The materials at those Web sites are not part of the materials for this Lenovo product, and use of those Web sites is at your own risk. Any performance data contained herein was determined in a controlled environment. Therefore, the result obtained in other operating environments may vary significantly. Some measurements may have been made on development-level systems and there is no guarantee that these measurements will be the same on generally available systems. Furthermore, some measurements may have been estimated through extrapolation. Actual results may vary. Users of this document should verify the applicable data for their specific environment.

© Copyright Lenovo 2017. All rights reserved.

This document, TIPS1048, was created or updated on June 19, 2017.

Send us your comments in one of the following ways:

- Use the online Contact us review form found at:
<http://lenovopress.com/TIPS1048>
- Send your comments in an e-mail to:
comments@lenovopress.com

This document is available online at <http://lenovopress.com/TIPS1048>.

Trademarks

Lenovo, the Lenovo logo, and For Those Who Do are trademarks or registered trademarks of Lenovo in the United States, other countries, or both. A current list of Lenovo trademarks is available on the Web at <http://www3.lenovo.com/us/en/legal/copytrade/>.

The following terms are trademarks of Lenovo in the United States, other countries, or both:

BladeCenter®
Flex System
Lenovo Services
Lenovo®
ServerProven®
System x®
UltraNav®

The following terms are trademarks of other companies:

Access® and Microsoft® are trademarks of Microsoft Corporation in the United States, other countries, or both.

Other company, product, or service names may be trademarks or service marks of others.