

HP StorageWorks H-series Fibre Channel Switches with Transparent Router

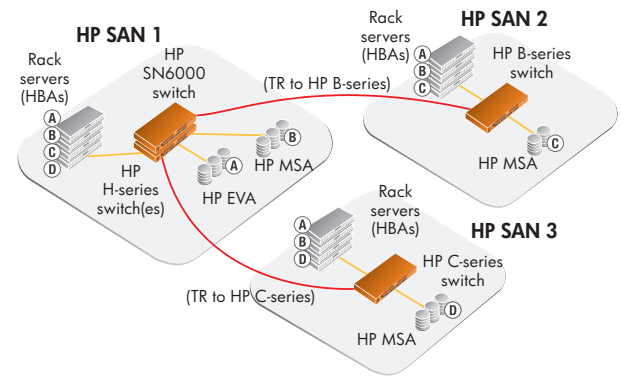


Transparent Router (TR) functionality is a revolutionary capability standard on all HP H-series switches—HP StorageWorks SN6000 Stackable 8Gb Fibre Channel Switches and StorageWorks 8/20q Fibre Channel Switches. TR provides seamless and non-disruptive connectivity and interoperability between HP H-series, HP B-series, and HP C-series Fibre Channel switches, enabling server and storage resource sharing between fabrics.

TR capability provides the optimal operational efficiency:

- Uses industry-standard NPIV to connect to HP H-series, HP B-series, and HP C-series fabrics; the same as HP Virtual Connect
- TR implemented on a per-port basis for true fabric interoperability
 - Standard feature (no additional charge!)
 - Simply choose which ports to use as N-ports to connect to an installed fabric
- Provides server and storage transparency between SAN fabrics
 - Continue using remaining device ports for connections to storage, servers, or other switches in your SAN
- Maximum investment protection—best of both worlds
 - Simplicity—for the SAN novice in small departments or the expert in global data centers
 - Seamlessly connect to existing HP B-series and HP C-series fabrics for data sharing
 - Flexibility to use assets in the field and at corporate
- Low-cost, high-performance switch
 - Reap the benefits of a next-generation full-fabric price/performance switch that seamlessly interoperates with HP B-series and HP C-series switches
- Use the same familiar tools to manage existing fabrics
 - Use familiar B-series tools to manage B-series fabrics and C-series tools to manage C-series fabrics
 - No disruption to B-series tools or C-series tools or their respective advanced features
 - Investment in B-series and C-series fabrics is preserved

Storage access (LUNs A, B, C, D)



Solution overview

Transparent Router technology eliminates the support and management challenges of switch interoperability and merged SAN fabrics of the past, to allow sharing of HP server and storage resources over multiple paths between heterogeneous SANs. TR security and containment allow the SANs to be connected without impacting existing infrastructure.

Ideal TR use cases include

- SAN for backup
- SAN for departmental build-out
- Growth and interconnect path to the latest technology

TR technology simplifies management of departmental and large data-center SANs; protects and preserves existing B-series and C-series security and stability; and provides direct, high-performance access to needed server and storage resources on disparate SANs.

Other key benefits

- **No E-port complexity**—With revolutionary TR technology, these new HP H-series switches provide the performance and port consolidation of a new switch, without actually exposing them to the core SAN—only the customer-specified devices are visible.
- **High level of security and access control**—Only customer-specified devices are visible (and shareable) between fabrics.
- **Low cost**—Get all the benefits of SAN expansion (more capacity, redundancy, etc.) without impact or risk to existing B-series and C-series fabrics.

HP StorageWorks H-series Fibre Channel Switches with Transparent Router

SN6000 hardware features

- 20 8 Gbps SFP ports (8 Gbps, 4 Gbps, 2 Gbps device speeds)
- 4 10Gb/20Gb stacking ports (ISLs)
- 20 device ports enabled
- Supports SFP+ optics
- Single- and dual-power-supply models
- All ports auto-discovering, self-configuring
- Non-blocking full-bandwidth architecture
- Supports multi-switch networks
- Front-to-rear cooling

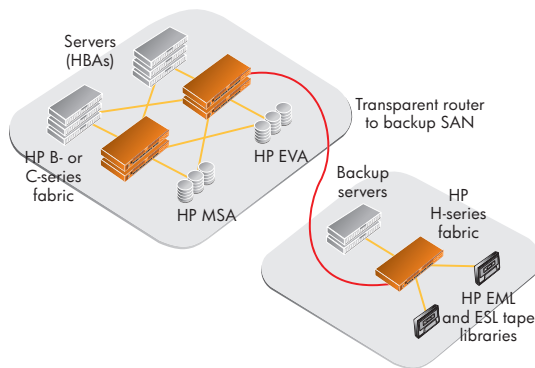
8/20q hardware features

- 20 8 Gbps SFP ports (8 Gbps, 4 Gbps, 2 Gbps device speeds)
- 8 or 16 device ports enabled in standalone models
- Field license upgrades to 20 ports
- Supports SFP+ optics
- Single integrated power supply and fan
- All ports auto-discovering, self-configuring
- Non-blocking full-bandwidth architecture
- Supports multi-switch networks
- Front-to-rear cooling

Software features

- Simple SAN Connection Manager (SSCM)
 - Install and manage SN6000, 8/20q, HBAs, EVAs, and MSAs from a single interface
 - Transparent Router
- QuickTools embedded GUI
- Adaptive Trunking
- Advanced security features
- I/O StreamGuard (guaranteed streamed data delivery)
- Non-disruptive firmware upgrades

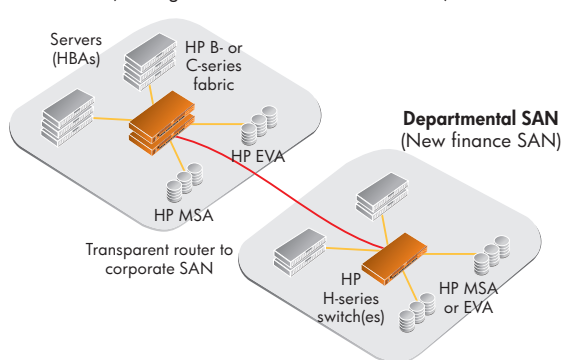
Primary data center
(Existing HP B-series and C-series fabrics)



Backup SANs utilizing TR

- Cost-effective SAN infrastructure—spend less on infrastructure and more on servers and backup equipment
- No disruption to existing fabric
- Simple installation and management with revolutionary Simple SAN Connection Manager software
- SAN accessed for dedicated and secure backup

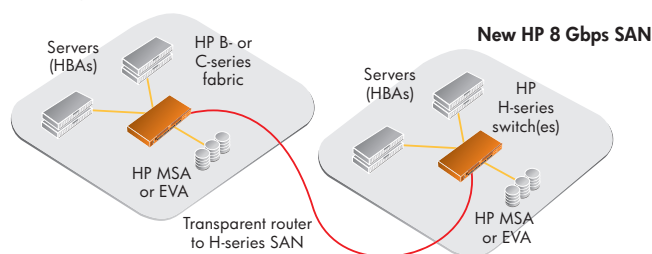
Primary data center
(Existing HP B-series and C-series fabrics)



SAN for departmental build-out

- Ability to build and manage a new department fabric inexpensively
- Non-disruptive addition of department fabric
- Seamless connection to core fabric for data access and backup

Active legacy SAN



Migrate to the latest technology

- No more “one vendor per SAN” rule using NPIV and TR for heterogeneous SAN attach
- Customers keep existing services running while bringing their new systems online
- Ability to share resources across SANs without disruption improves cost-effectiveness

Key: HBA = host bus adapter EVA = enterprise virtual array MSA = modular smart array

To learn more, visit www.hp.com/go/8Gb-SSC
www.hp.com/go/sn6000
www.qlogic.com/go/hp

© Copyright 2009, 2010 Hewlett-Packard Development Company, L.P. The information contained herein is subject to change without notice. The only warranties for HP products and services are set forth in the express warranty statements accompanying such products and services. Nothing herein should be construed as constituting an additional warranty. HP shall not be liable for technical or editorial errors or omissions contained herein.

4AA2-4519ENW Rev. 1, February 2010

