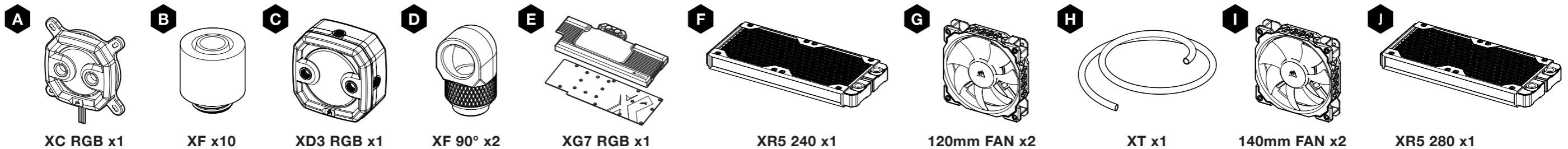
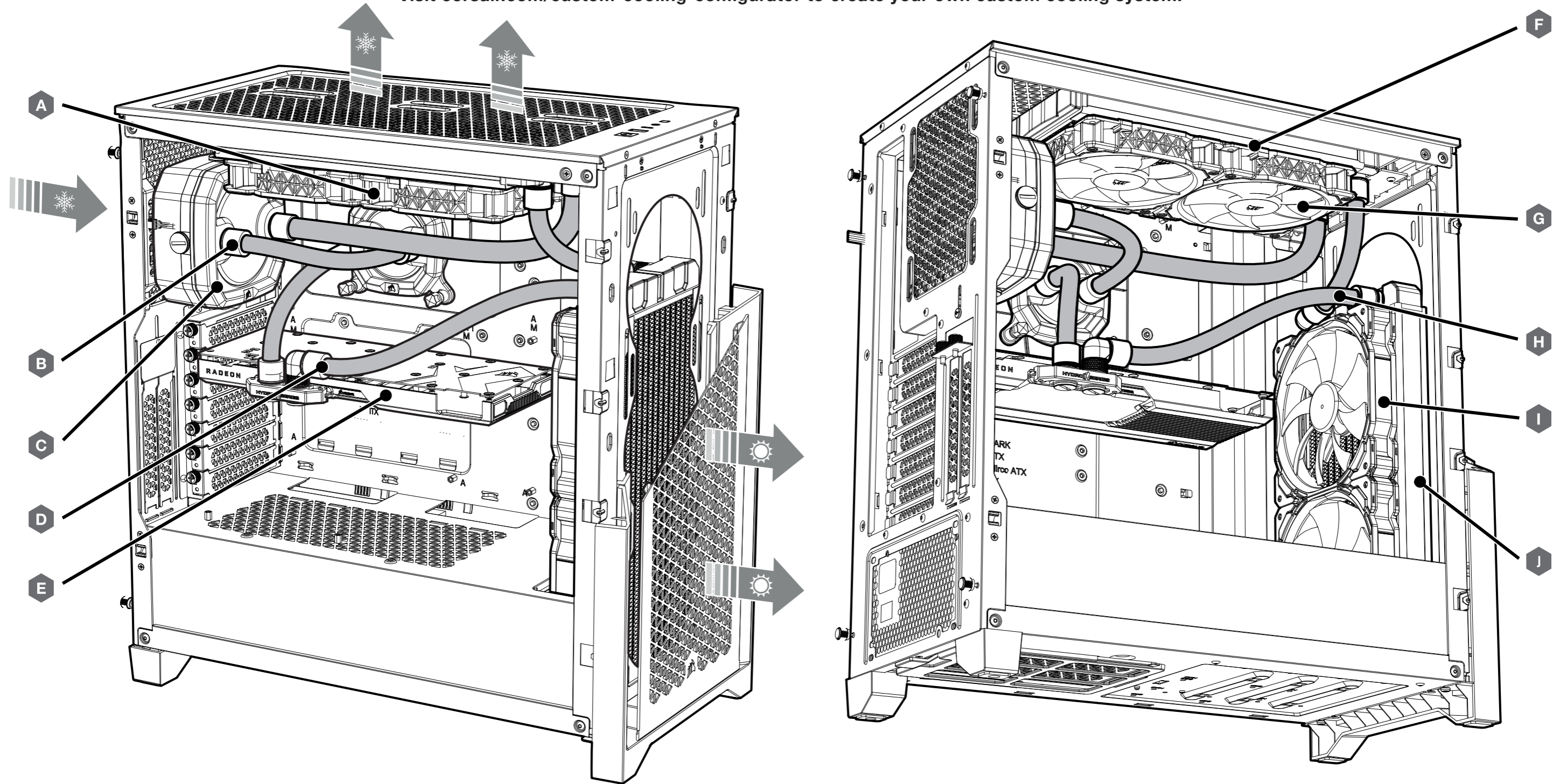


CORSAIR 4000 SERIES

HYDRO X CUSTOM COOLING REFERENCE BUILD

The below is a reference build, using a reference design graphics card and the maximum radiator configuration supported by the 4000D. This reference build does not sacrifice DRAM module or motherboard compatibility, giving you the widest choice of supported hardware.

Visit corsair.com/custom-cooling-configurator to create your own custom cooling system.



This reference build is constructed with an inverted fan orientation with radiators in exhaust mode and is only recommended when both CPU and GPU are liquid cooled. This setup provides excellent cooling of the entire computer case by minimizing heat build-up and hot air recirculation, reducing the internal chassis temperatures by up to 20°C by directly exhausting heat outside the computer case for cooler & quieter operation, allowing for better & more reliable performance of the heat-sensitive components such as NVMe SSDs, RAM and VRM.