



Cisco UCS C220/C240/ B200 M5 Memory Guide

CONTENTS

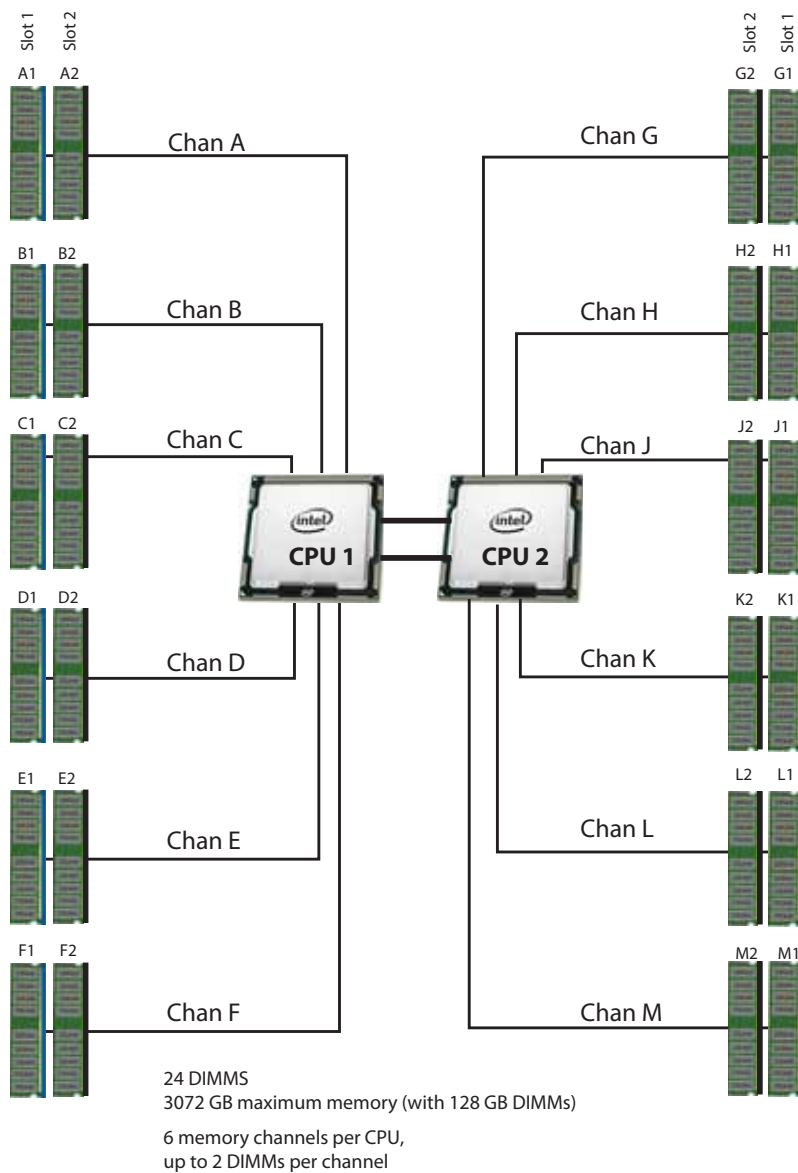
Memory Organization, Available PIDs and Memory Mirroring	3
Physical Layout	8
Memory Population Rules	9
DIMM Population Order	10
Recommended Memory Configuration	11
Additional DIMM Populations	12
Installing a DIMM or DIMM Blank	14

Memory Organization, Available PIDs and Memory Mirroring

The standard memory features are:

- Clock speed: 2666 MHz
 - Ranks per DIMM: 1, 2, 4, or 8
 - Operational voltage: 1.2 V
 - Registered ECC DDR4 DIMMs (RDIMMs) or load-reduced DIMMs (LRDIMMs)
- Memory is organized with six memory channels per CPU, with up to two DIMMs per channel, as shown in [Figure 1](#).

Figure 1 C220, C240, B200 M5 Memory Organization



Select DIMMs and Memory Mirroring

Select the memory configuration and whether or not you want the memory mirroring option. The available memory DIMMs and mirroring option are listed in [Table 1](#).



NOTE: When memory mirroring is enabled, the memory subsystem simultaneously writes identical data to two DIMMs. If a memory read from primary DIMM returns incorrect data due to an uncorrectable memory error, the system automatically retrieves the data from the secondary DIMM in the mirrored pair. Thus, an error in one DIMM does not affect the mirrored data, and operation continues unless the error propagates to both the DIMMs in the mirrored pair. Memory mirroring reduces the amount of memory available to the operating system by 50% because only one of the two DIMMs in the mirrored pair provides data.

Table 1 Available DDR4 DIMMs

Product ID (PID)	PID Description	Voltage	Ranks /DIMM
UCS-MR-128G8RS-H	128 GB DDR4-2666-MHz TSV-RDIMM/PC4-21300/8R/x4	1.2 V	8
UCS-MR-X64G4RS-H	64 GB DDR4-2666-MHz TSV-RDIMM/PC4-21300/4R/x4	1.2 V	4
UCS-ML-X64G4RS-H	64 GB DDR4-2666-MHz LRDIMM/PC4-21300/4R/x4	1.2 V	4
UCS-MR-X32G2RS-H	32 GB DDR4-2666-MHz RDIMM/PC4-21300/2R/x4	1.2 V	2
UCS-MR-X16G1RS-H	16 GB DDR4-2666-MHz RDIMM/PC4-21300/1R/x4	1.2 V	1
UCS-MR-X16G2RS-H	16 GB DDR4-2666-MHz RDIMM/PC4-21300/2R/x4	1.2 V	2
UCS-MR-X8G1RS-H	8 GB DDR4-2666-MHz RDIMM/PC4-21300/1R/x4	1.2 V	1
Memory Mirroring Option			
N01-MMIRROR	Memory mirroring option		

Approved Configurations

(1) 1-CPU configuration without memory mirroring:

- Select from 1 to 12 DIMMs. Refer to [page 7](#) for more detailed information.

(2) 1-CPU configuration with memory mirroring:

- Select 4, 6, 8, or 12 identical DIMMs. The DIMMs will be placed by the factory as shown in the following table.

CPU 1 DIMM Placement in Channels (for identical ranked DIMMs)	
4	(A1, B1); (D1, E1)
6	(A1, B1, C1); (D1, E1, F1)
8	(A1, A2, B1, B2); (D1, D2, E1, E2)
12	(A1, A2, B1, B2, C1, C2); (D1, D2, E1, E2, F1, F2)

- Select the memory mirroring option (N01-MMIRROR) as shown in [Table 1 on page 3](#).

(3) 2-CPU configuration without memory mirroring:

- Select from 1 to 12 DIMMs per CPU. Refer to [page 7](#) for more detailed information.

(4) 2-CPU configuration with memory mirroring:

- Select 8, 12, 16, or 24 identical DIMMs. The DIMMs will be placed by the factory as shown in the following table.

	CPU 1 DIMM Placement in Channels (for identical ranked DIMMs)	CPU 2 DIMM Placement in Channels (for identical ranked DIMMs)
	CPU 1	CPU 2
8	(A1, B1); (D1, E1)	(G1, H1); (K1, L1)
12	(A1, B1, C1); (D1, E1, F1)	(G1, H1, J1); (K1, L1, M1)
16	(A1, A2, B1, B2); (D1, D2, E1, E2)	(G1, G2, H1, H2); (K1, K2, L1, L2)
24	(A1, A2, B1, B2, C1, C2); (D1, D2, E1, E2, F1, F2)	(G1, G2, H1, H2, J1, J2); (K1, K2, L1, L2, M1, M2)

- Select the memory mirroring option (N01-MMIRROR) as shown in [Table 1 on page 3](#).



NOTE: System performance is optimized when the DIMM type and quantity are equal for both CPUs, and when all channels are filled equally across the CPUs in the server.

Caveats

- System speed is dependent on how many DIMMs are populated per channel and the CPU DIMM speed support. See [Table 2](#) for details.

Table 2 2666-MHz DIMM Memory Speeds with Different v5 CPUs

DIMM and CPU Frequencies (MHz)	DPC	TSV-RDIMM (8Rx4) - 128 GB (MHz)	TSV-RDIMM (4Rx4) - 64 GB (MHz)	LRDIMM (4Rx4) - 64 GB (MHz)	RDIMM (2Rx4) - 32 GB (MHz)	RDIMM (2Rx4) - 16 GB (MHz)	RDIMM (1Rx4) - 16 GB (MHz)	RDIMM (1Rx4) - 8 GB (MHz)
		1.2 V	1.2 V	1.2 V	1.2 V	1.2 V	1.2 V	1.2 V
DIMM = 2666 CPU = 2666	1DPC	2666	2666	2666	2666	2666	2666	2666
	2DPC	2666	2666	2666	2666	2666	2666	2666
DIMM = 2666 CPU = 2400	1DPC	2400	2400	2400	2400	2400	2400	2400
	2DPC	2400	2400	2400	2400	2400	2400	2400
DIMM = 2666 CPU = 2133	1DPC	2133	2133	2133	2133	2133	2133	2133
	2DPC	2133	2133	2133	2133	2133	2133	2133

- The C220,C240,B200 M5 server supports four different memory reliability, availability, and serviceability (RAS) modes:
 - Independent Channel Mode
 - Mirrored Channel Mode
- Below are the system level RAS Mode combination limitations:
 - Mixing of Non-Mirrored and Mirrored mode is not allowed per platform.
- Do not mix TSV-RDIMMs with any other DIMMS
- Do not mix RDIMMs with LRDIMMs
- Single-rank DIMMs can be mixed with dual-rank DIMMs in the same channel
- Do not mix quad-rank RDIMMs with single- or dual-rank RDIMMs in the same channel
- For best performance, observe the following:
 - When one DIMM is used, it must be populated in DIMM slot 1, the blue slot (farthest away from the CPU) of a given channel.
 - When single or dual Rank DIMMs are populated for 2DPC, always populate the higher number rank DIMM first (starting from the farthest slot). For a 2DPC example, first populate with quad-rank DIMMs in the DIMM slot 1. Then dual-rank DIMMs in the DIMM 2 slot.
- DIMMs for CPU 1 and CPU 2 (when populated) must always be configured identically.
- When using mirroring, DIMMs must be installed in identical pairs across paired DDR4 buses.

- Memory mirroring reduces the amount of available memory by 50% (quantity of DIMMs must be even for mirroring).
- Non-ECC DIMMs are not supported.
- Cisco memory from previous generation servers (DDR3) is not compatible with this server
- The maximum combined memory allowed in the 12 DIMM slots is 768 GB. To populate the 12 DIMM slots with more than 768 GB of combined memory, you need to use a CPU with a SKU that ends with an "M", for example, UCS-CPU-6134M

For more information regarding memory, see [Physical Layout, page 7](#).

Physical Layout

Each CPU has six DIMM channels:

- CPU1 has channels A, B, C, D, E, and F
- CPU2 has channels G, H, J, K, L, and M

Each DIMM channel has two slots: slot 1 and slot 2. The blue-colored DIMM slots are for slot 1 and the black slots for slot 2.

As an example, DIMM slots A1, B1, C1, D1, E1, and F1 belong to slot 1, while A2, B2, C2, D2, E2, and F2 belong to slot 2.

Figure 2 shows how slots and channels are physically laid out on the motherboard. The DIMM slots on the right half of the motherboard (channels A, B, C, D, E, and F) are associated with CPU 1, while the DIMM slots on the left half of the motherboard (channels G, H, J, K, L, and M) are associated with CPU 2. The slot 1 (blue) DIMM slots are always located farther away from a CPU than the corresponding slot 2 (black) slots. Slot 1 slots (blue) are populated before slot 2 slots (black).

Figure 2 Physical Layout of C220/C240 M5 CPU DIMM Channels and Slots

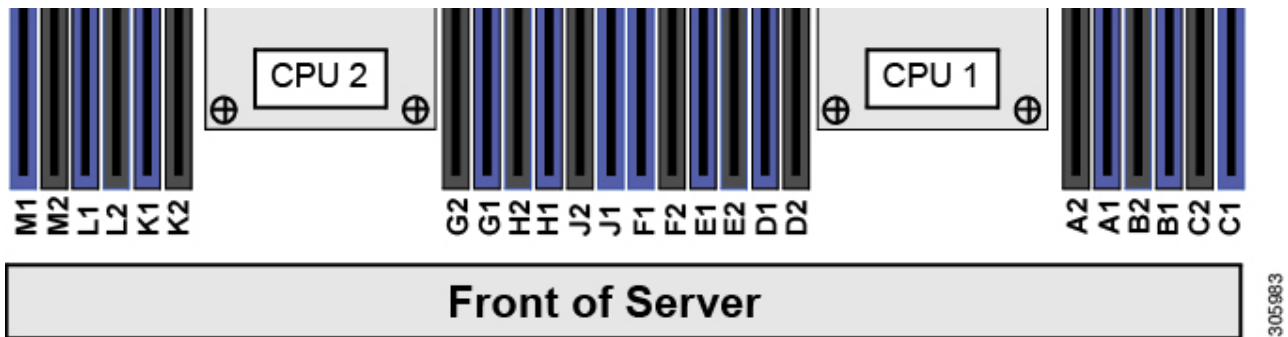
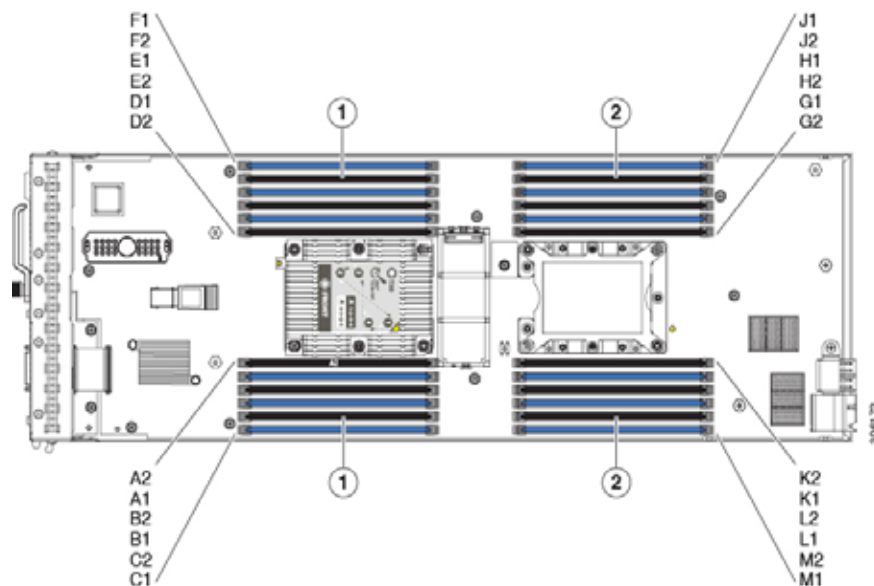


Figure 3 Physical Layout of B200 M5 CPU DIMM Channels and Slots



Memory Population Rules

When considering the memory configuration of your server, consider the following items:

- Each channel has two DIMM slots (for example, channel A = slots A1 and A2).
 - A channel can operate with one or two DIMMs installed.
 - If a channel has only one DIMM, populate slot 1 first (the blue slot).
- Any DIMM installed in a DIMM socket for which the CPU is absent is not recognized.
- Observe the DIMM mixing rules shown in [Table 3](#)

Table 3 DIMM Rules for C220, C240, B200 M5 Servers

DIMM Parameter	DIMMs in the Same Channel	DIMM in the Same Slot ¹
<u>DIMM Capacity</u> RDIMM = 8, 16, 32, 64, or 128 GB LRDIMM = 64 GB TSV-RDIMM = 64 GB, 128GB	DIMMs in the same channel (for example, A1 and A2) can have different capacities. Do not mix TSV-RDIMMS with LRDIMMs nor RDIMMs	For best performance, DIMMs in the same slot (for example, A1, B1, C1, D1, E1, F1) should have the same capacity. Do not mix TSV-RDIMMS with LRDIMMs nor RDIMMs
<u>DIMM Speed</u> 2666-MHz	DIMMs will run at the lowest speed of the CPU installed	DIMMs will run at the lowest speed of the CPU installed
<u>DIMM Type</u> TSV-RDIMMS, RDIMMs, or LRDIMMs	Do not mix DIMM types in a channel	Do not mix DIMM types in a slot

Notes:

1. Although different DIMM capacities can exist in the same slot, this will result in less than optimal performance. For optimal performance, all DIMMs in the same slot should be identical.

DIMM Population Order

Populate the DIMMs for a CPU according to [Table 4](#).

Table 4 C220, C240, B200 M5 DIMM Population Order

	Populate CPU1 Slot		Populate CPU2 Slot	
	Blue Slots	Black slots	Blue slots	Black slots
1	(A1)	-	(G1)	-
2	(A1, B1)	-	(G1, H1)	-
3	(A1, B1, C1)	-	(G1, H1, J1)	-
4	(A1,B1); (D1,E1)	-	(G1,H1); (K1,L1)	-
6	(A1,B1); (C1,D1); (E1, F1)	-	(G1,H1); (J1,K1); (L1, M1)	-
8	(A1,B1); (D1,E1)	(A2,B2); (D2,E2)	(G1,H1); (K1,L1)	(G2,H2); (K2,L2)
12	(A1,B1); (C1,D1); (E1, F1)	(A2,B2); (C2,D2); (E2, F2)	(G1, H1); (J1, K1); (L1, M1)	(G2,H2); (J2,K2); (L2,M2)

5, 7 9, 10, 11 DIMMs per CPU is not recommended.

Recommended Memory Configuration

This section explains the recommended DIMM population order rules for the C220, C240 and B200 M5 servers.

- All DIMMs must be DDR4 DIMMs.
- Do not mix:
 - DIMMs with different clock rates in a channel
 - RDIMMs and LRDIMMs or TSV-RDIMMs with any other DIMMs
- There are blue and black DIMM slots. Populate blue slots first.
- When DIMMs ranks are mixed in the same channel, always populate the highest rank DIMM in the blue DIMM slot and lower rank DIMM(s) in the black DIMM slots.

Many memory configurations are possible. For best results, follow [Table 5](#) when populating DIMMs.



NOTE: These tables list only some recommended and suggested configurations. There are numerous other possible configurations supported by Cisco. Cisco supports all mixing and population configurations of the Cisco DIMMs as long as the mixing does not violate the few fundamental rules noted in this document.

Table 5 Recommended Memory Configurations for 2666-MHz DIMMs)

Total System Memory Size	CPU 1 DIMMs		CPU 2 DIMMs		DIMM Max Speed (MHz)	Total DIMMs
	Blue Slots Slot 1 (A1,B1,C1,D1, E1 F1)	Black Slots Slot 2 (A2,B2, C2,D2, E2, F2)	Blue Slots Slot 1 (G1,H1, J1,K1, L1, M1)	Black Slots Slot 2 (G2,H2, J2,K2, L2, M2)		
96 GB	6x8 GB	—	6x8 GB	—	2666	12
192 GB	6x8 GB	6x8 GB	6x8 GB	6x8 GB	2666	24
	6x16 GB	—	6x16 GB	—	2666	12
384 GB	6x16 GB	6x16 GB	6x16 GB	6x16 GB	2666	24
	6x32 GB	—	6x32 GB	—	2666	12
768 GB	6x32 GB	6x32 GB	6x32 GB	6x32 GB	2666	24
	6x64 GB	—	6x64 GB	—	2666	12
1536 GB	6x64 GB	6x64 GB	6x64 GB	6x64 GB	2666	24
	6x128 GB	—	6x128 GB	—	2666	12
3072 GB	6x128 GB	6x128 GB	6x128 GB	6x128 GB	2666	24

Additional DIMM Populations

The list in [Table 6](#) is not a complete list of all supported DIMM populations, but highlights common configuration options.

Table 6 C220, C240, B200 M5 Supported DIMM Configurations

CPU 1 DIMMs	Total DIMMs for CPU 1	CPU 1 Capacity	CPU 2 DIMMs	Total DIMMs for CPU 2	CPU 2 Capacity	Total Capacity for 2 CPUs
1 x 8 GB*	1	8 GB	1 x 8 GB	1	8 GB	16 GB
2 x 8 GB*	2	16 GB	2 x 8 GB	2	16 GB	32 GB
1 x 16 GB	1	16 GB	1 x 16 GB	1	16 GB	32 GB
3 x 8 GB*	3	24 GB	3 x 8 GB	3	24 GB	48 GB
4 x 8 GB*	4	32 GB	4 x 8 GB	4	32 GB	64 GB
2 x 16 GB	2	32 GB	2 x 16 GB	2	32 GB	64 GB
1 x 32 GB	1	32 GB	1 x 32 GB	1	32 GB	64 GB
6 x 8 GB*	6	48 GB	6 x 8 GB	6	48 GB	96 GB
3 x 16 GB	3	48 GB	3 x 16 GB	3	48 GB	96 GB
8 x 8 GB*	8	64 GB	8 x 8 GB	8	64 GB	128 GB
4 x 16 GB	4	64 GB	4 x 16 GB	4	64 GB	128 GB
2 x 32 GB	2	64 GB	2 x 32 GB	2	64 GB	128 GB
1 x 64 GB	1	64GB	1 x 64 GB	1	64 GB	128 GB
3 x 32 GB	3	96 GB	3 x 32GB	3	96 GB	192 GB
6 x 16 GB	6	96 GB	6 x 16 GB	6	96 GB	192 GB
12 x 8 GB*	12	96 GB	12 x 8 GB	12	96 GB	192 GB
8 x 16 GB	8	128 GB	8 x 16 GB	8	128 GB	256 GB
4 x 32 GB	4	128 GB	4 x 32 GB	4	128 GB	256 GB
2 x 64 GB	2	128 GB	2 x 64 GB	2	128 GB	256 GB
1 x 128 GB	1	128 GB	1 x 128 GB	1	128 GB	256 GB
6 x 32GB	6	192 GB	6 x 32 GB	6	192 GB	384 GB
12 x 16 GB	12	192 GB	12 x 16 GB	12	192 GB	384 GB
3 x 64 GB	3	192 GB	3 x 64 GB	3	192 GB	384 GB
8 x 32 GB	8	256 GB	8 x 32 GB	8	256 GB	512 GB
4 x 64GB	4	256 GB	4 x 64 GB	4	256 GB	512 GB
2 x 128 GB	2	256 GB	2 x 128 GB	2	256 GB	512 GB
12 x 32 GB	12	384 GB	12 x 32 GB	12	384 GB	768 GB
6 x 64 GB	6	384 GB	6 x 64 GB	6	384 GB	768 GB
3 x128 GB	3	384 GB	3 x128 GB	3	384 GB	768 GB
8 x 64 GB	8	512 GB	8 x 64 GB	8	512 GB	1024 GB
4 x 128 GB	4	512 GB	4 x 128 GB	4	512 GB	1024 GB

Table 6 C220, C240, B200 M5 Supported DIMM Configurations

CPU 1 DIMMs	Total DIMMs for CPU 1	CPU 1 Capacity	CPU 2 DIMMs	Total DIMMs for CPU 2	CPU 2 Capacity	Total Capacity for 2 CPUs
12 x 64 GB	12	768 GB	12 x 64 GB	12	768 GB	1536 GB
6 x 128 GB	6	768 GB	6 x 128 GB	6	768 GB	1536 GB
8 x 128 GB	8	1024 GB	8 x 128 GB	8	1024 GB	2048 GB
12 x 128 GB	12	1536 GB	12 x 128 GB	12	1536 GB	3072 GB

Installing a DIMM or DIMM Blank

To install a DIMM or a DIMM blank into a slot on the blade server, follow these steps.

Procedure

Step 1 Open both DIMM connector latches.

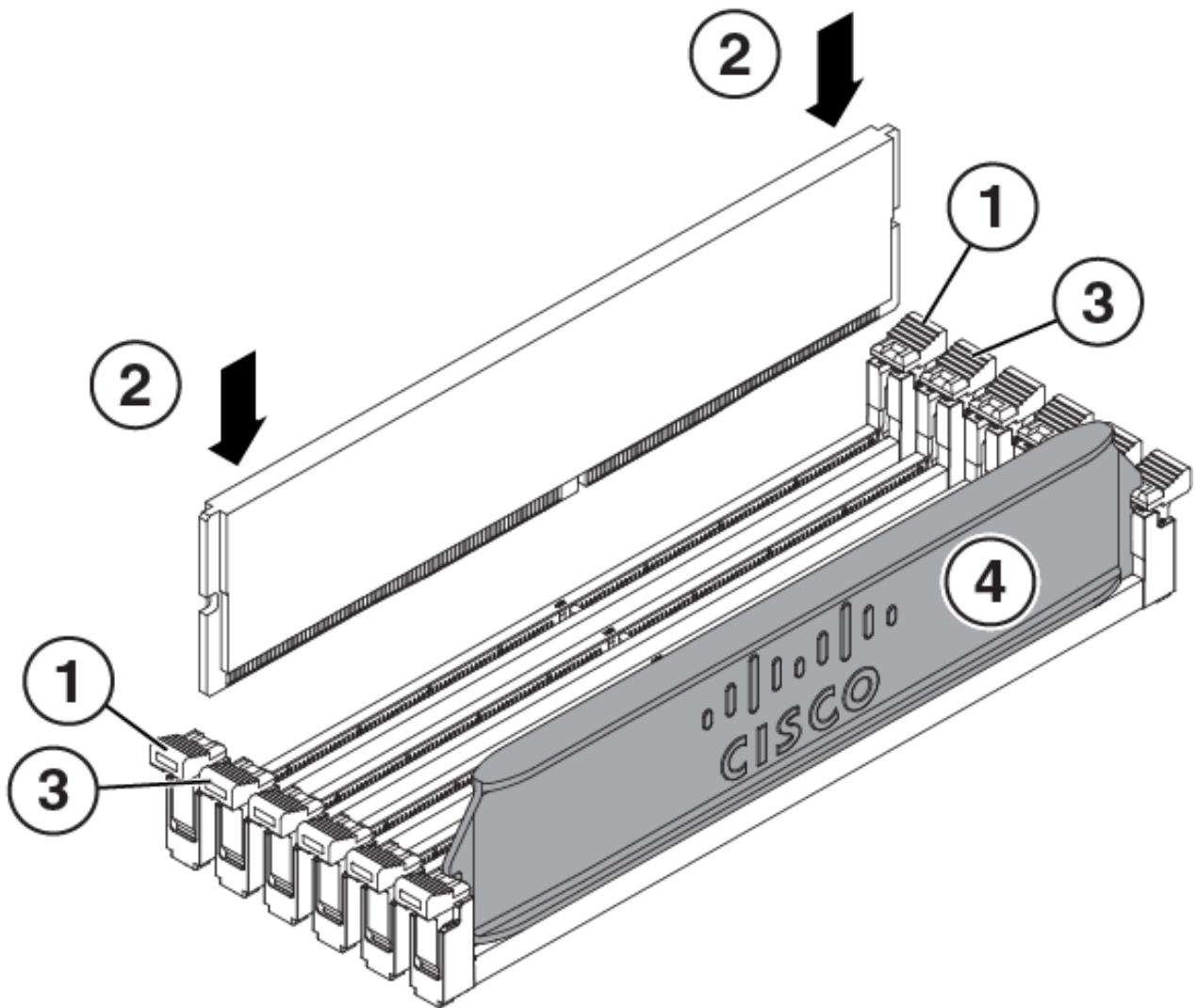
Step 2 Press evenly on both ends of the DIMM until it clicks into place in its slot

Note: Ensure that the notch in the DIMM aligns with the slot. If the notch is misalignment is possible damage the DIMM, the slot, or both.

Step 3 Press the DIMM connector latches inward slightly to seat them fully.

Step 4 Populate all slots with a DIMM or DIMM blank. A slot cannot be empty.

Figure 4 Installing Memory





Americas Headquarters
Cisco Systems, Inc.
San Jose, CA

Asia Pacific Headquarters
Cisco Systems (USA) Pte. Ltd.
Singapore

Europe Headquarters
Cisco Systems International BV Amsterdam,
The Netherlands

Cisco has more than 200 offices worldwide. Addresses, phone numbers, and fax numbers are listed on the Cisco Website at www.cisco.com/go/offices.

Cisco and the Cisco Logo are trademarks of Cisco Systems, Inc. and/or its affiliates in the U.S. and other countries. A listing of Cisco's trademarks can be found at www.cisco.com/go/trademarks. Third party trademarks mentioned are the property of their respective owners. The use of the word partner does not imply a partnership relationship between Cisco and any other company. (1005R)